



Sight glass wiper Option

for round sight glass fittings

SWII



APPLICATION:

For manual cleaning of glass plates in sight glass fittings. Suitable for vessels in pressure or vacuum operation in explosive and non-hazardous locations. Suitable for round sightglass fittings of nominal sizes DN 100 to DN 200.

INSTALLATION INSTRUCTIONS:

With pressure-tight screw connections through base and cover flange of the sight-glass fitting; suitable for round sightglass plates according to DIN 7080 or DIN 8902. Ideal for round sightglass fittings of nominal sizes DN 100 to DN 200.

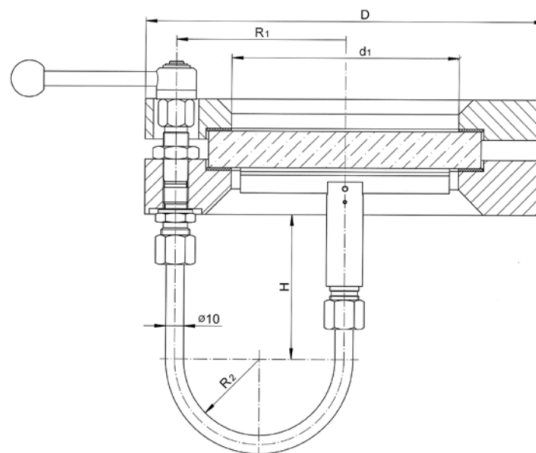
For round sight glass fittings

CERTIFICATES/ACCEPTANCE:

Test certificates of German State Material Testing Office in North-Rhine-Westphalia, Dortmund, are available.

Operating conditions

Temperature:	220°C (depending on the sight glass plate used)
Pressure:	vacuum-proof; pressure-proof up to 16 bar



POSSIBLE COMBINATIONS:

The simultaneous combination of the sight glass wiper SWII with lights as well as with spraying device SVI is possible. The maximum permissible temperatures and the thermal shock resistance of the sight glass plate must be observed!

Dimensions		1	2	3	4
Size					
Nominal size	DN	100	125	150	200
View	d1	125	150	175	225
Flange	D	220	250	285	340
Wiper	R1	93	105	120	147,5
	R2	41,5	47,5	55	68,75
	H	79	69,5	85	63,5



Sight glass wiper Option

for round sight glass fittings

SWII

ORDERING SPECIFICATIONS!

Wiper SWII

Size 3

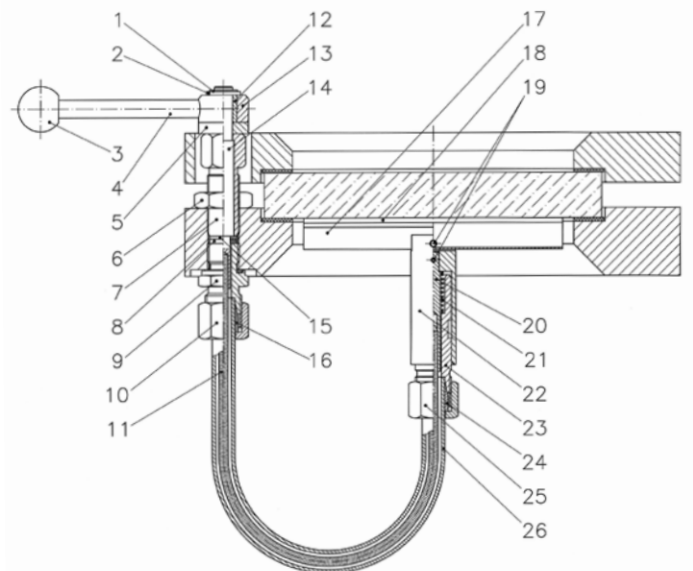
Wiper blade PTFE

If a sight glass plate should be supplied, the following informations are necessary:

- Borosilicate glass or Soda lime glass
- Sight glass plate dimensions $\varnothing \times s$
- Nominal size of the fitting (DN)
- Effective operating pressure of the fitting

ASSEMBLY:

Parts and materials:		
1.	Lock washer	1.4568
2.	Washer	A2
3.	Ball knob	Duroplast
4.	Handle bar	1.4305
5.	Spacer	1.4305
6.	Hexagon nut	A4
7.	Threaded socket	1.4301
8.	Gasket	PTFE
9.	Pipe coupling	1.4571
10.	Union nut	1.4571
11.	Flexible shaft	1.4301 or 1.4401
12.	Tubular freewheel	Steel
13.	Adjusting ring	1.4305
14.	Shaft connection	1.4305
15.	Washer	Galvanised steel
16.	Wedge ring	1.4571
17.	Wiper blade holder	1.4571
18.	Wiper blade	Silicone or PTFE
19.	Grooved pin	1.4571
20.	Wiper arm axis	1.4571 or 1.4401
21.	Pressure spring	1.4310
22.	Wiper arm	1.4571 or 1.4401
23.	Guide bush	1.4571 or 1.4401
24.	Wedge ring	1.4571
25.	Union nut	1.4571
26.	Guide tube	1.4571



INSTALLATION INSTRUCTIONS:

The wiper blade holder is mechanically driven by a flexible shaft which is actuated from the outside by a lever with freewheel. This ensures that the shaft can only be rotated in one direction.

Detailed assembly instructions are supplied for the installation of the wiper.

If you order a fitting with wiper SW II, the additional mechanical machining of the base and cover flange is performed by ACI.

Contact in Germany:
ACI Industriearmaturen GmbH
Tel. +49 (0) 2403 748 850
info@aci24.com • www.aci24.com

Contact in Hungary:
Metaball KFT.
metaball@metaball.hu or +36 203828867
H-2700 Cegléd, Kazinczy u. 16.

20190903

Technical changes and errors reserved!