



Tubular sight glass PN 10 - plastic

with flange connections to DIN 1092-1 / ASME

Type 620K



APPLICATION:

For observation of filling and flow in pipe-lines. The sight glass provides reliable 360° monitoring of the function and performance of individual devices as well as entire systems.

Type 620K is designed with flanges on both sides to match DIN 1092-1 / (DIN 2501) (PN 10) or ANSI / ASME.

INSTALLATION NOTE:

Gaskets suitable for the sealing surfaces should be used. The screw material should be equivalent to or higher than those of the sight glass body. Always use screws that match the hole pattern. If possible, the screw thread and the screw head should be lubricated. Tubular sight glasses must be installed in such a way to prevent pipe forces (tension, pressure and torsion), vibrations and pressure shocks from affecting the fitting!

With flange connections according to DIN 1092-1 / (DIN 2501) / ANSI / ASME ($\Delta P \leq 10$ bar)

Operating conditions:

Temperature: (depending on glass and gasket)	60 °C (PVC) 80 °C (PP) 100 °C (PVDF)
Pressure:	$\leq 10^1$ Bar

¹ see next page

PERMISSIBLE OPERATING PRESSURE:

The permissible operating pressure is depending on the nominal size and must always be observed! The pressure and nominal size assignment on the next page must be observed. Higher pressures are possible on request. Please contact us if necessary.

Materials:

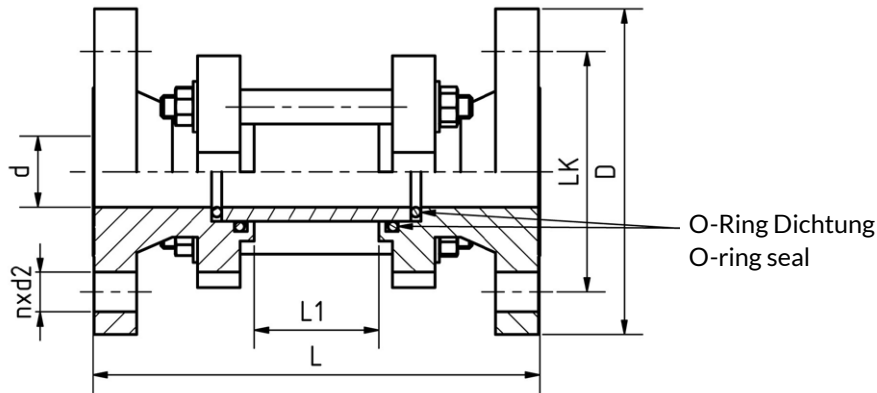
Flange:	PVC; PP; PVDF
Glass tube:	Borosilicate glass
Gasket:	O-Ring FKM; EPDM
Screws:	A4-70
Special materials on request	



Tubular sight glass PN 10 - plastic

with flange connections to DIN 1092-1 / ASME

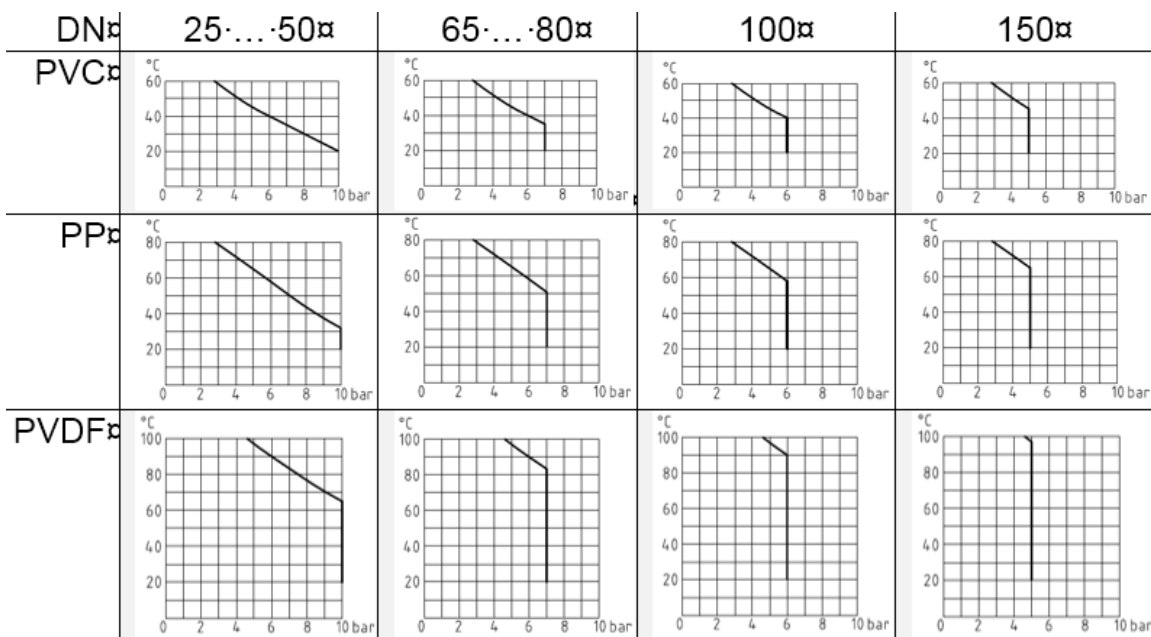
Type 620K



DN	25	32	40	50	65	80	100	150
NPS	1"	1 1/4"	1 1/2"	2"	2 1/2"	3"	4"	6"
D	115	140	150	165	185	200	220	285
d	32	40	50	63	75	90	110	160
L	160	180	200	230	290	310	350	480
L1	46	58	70	92	116	126	160	244
LK	85	100	110	125	145	160	180	240
n x d2	4 x ø 14	4 x ø 18	4 x ø 18	4 x ø 18	4 x ø 18	8 x ø 18	8 x ø 18	8 x ø 22

ATTENTION!

Observe permissible operating pressure!





Tubular sight glass PN 10 - plastic

with flange connections to DIN 1092-1 / ASME

Type 620K

PRODUCTCODE:

Group	TYPE	DN / NPS	Flange	Gasket	overall length
11	620K	25 or 001 (1") 32 or 114 (1 1/4") 40 or 112 (1 1/2") 50 or 002 (2") 65 or 212 (2 1/2") 80 or 003 (3") 100 or 004 (4") 150 or 006 (6")	1: PVC 2: PP 3: PVDF	1: FKM 2: EPDM 8: Special	000: Standard

EXAMPLE:

11-620K-100-2-1-000 equals the product code:

ACI Typ e620K

DN100

flange made of PP

gasket FKM

standard length

HIGHER OPERATING PRESSURES:

In individual cases, higher operating pressures than those specified may be possible. Please contact us if necessary.

Contact in Germany:
ACI Industriearmaturen GmbH
Tel. +49 (0) 2403 748 850
info@aci24.com • www.aci24.com

Contact in Hungary:
Metaball KFT.
metaball@metaball.hu or +36 203828867
H-2700 Cegléd, Kazinczy u. 16.

20190917

Technical changes and errors reserved!