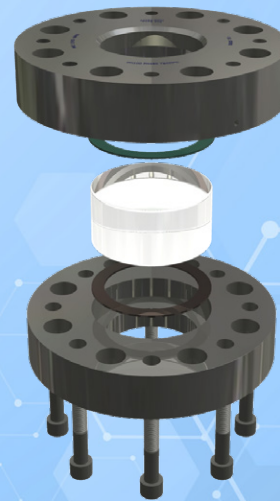




Round sight glass fitting PN 10 up to 360

Flange mounting similar to DIN 28121

Type 326



APPLICATION:

Observation and illumination of the interior of closed vessels (boilers, tanks, silos, etc.). Type 326 sightglasses are suitable for higher temperatures and pressures than those specified in DIN 28121 due to the use of suitable materials. Thanks to special seals and high-quality steels, temperatures of **1000°C** and high pressures of up to **360 bar** are possible.

INSTALLATION NOTE:

Gaskets suitable for the sealing surfaces should be used. The screw material should be equivalent to or higher than those of the sight glass body. Always use screws that match the hole pattern. If possible, the screw thread and the screw head should be lubricated.

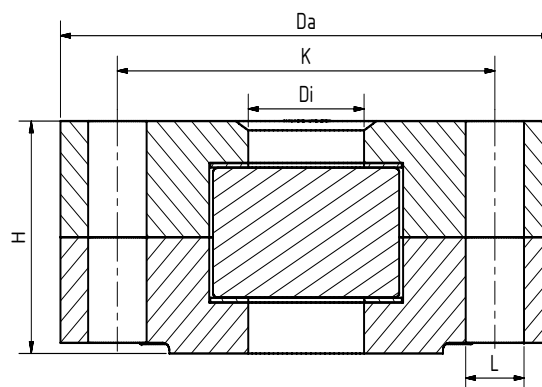
Similar to DIN 28121
high pressure and
high temperature
($\Delta P \leq 10$ to 360 bar)
($\Delta T \leq 1000$ °C)

Operating conditions:

Temperature: (depending on glass and gasket)	400 °C up to 1000 °C
Pressure:	10 bis 360 Bar

Materials:

Flange:	1.4571, 1.4541, 1.4404, 1.4539, 1.4948, 1.6920, 1.4462, P265GH, 2.4605
Glass:	Borofloat Glass Quartz glass Sapphire glass
Gasket:	Graphite; Mica; Carbon fiber
Screws:	A4-70, 1.4980, 1.4845, 1.4828, 1.4821, 1.4762
Special materials on request	



DN	On request
Di	Depending on pressure and temperature
H	
Da	According to DIN EN 1092-1*
L	
K	
*ASME B 16.5 flange connection on request	

Round sight glass fitting PN 10 up to 360

Flange mounting similar to DIN 28121

Type 326

PRODUCTCODE:

Group	TYPE	PN	DN	Flange	Glass	Gasket	Variant
11	326	1: 10 2: 16 3: 25 4: 40 5: 63 6: 100 7: 160 8: 250 9: 320	on request	1: 1.4571 2: 1.4541 3: 1.4404 4: 1.4539 5: 1.4948 6: 1.4462 7: 1.6920 8: 2.4605 9: P265GH 10: Special	1: Borofloat glass 2: Quartz glass 3: Sapphire glass	1: Graphite 2: Mica 3: Carbon fibre 4: Special	Assigned by ACI if required

INFO: Unless otherwise stated, the factory standard highlighted is supplied.

SPECIAL DESIGNS/OPTIONS:

- a) LED or halogen lights, ATEX-certified, EX
- b) Additional options on request

EXAMPLE:

11-326-5-100-1-2-2-0 equals the product code:

ACI Type 326

PN63

DN100

flanges 1.4571

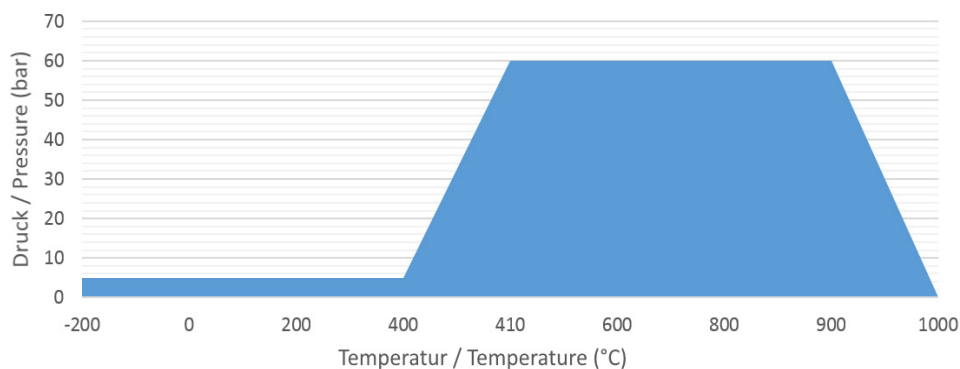
Quartz glass

gasket mica base

standard version

TEMPERATURE, PRESSURE EXAMPLE

The following diagram shows a possible range of application of a mica based gasket. This gasket has the best properties at temperatures above 400°C, e.g. to absorb a pressure of 60 bar. Further properties are also possible by combining other sealing materials. We will be happy to help you select the right sealing materials for your process.



RECOMMENDATION:

For aggressive media or steam, mica discs should be used to protect the glass.