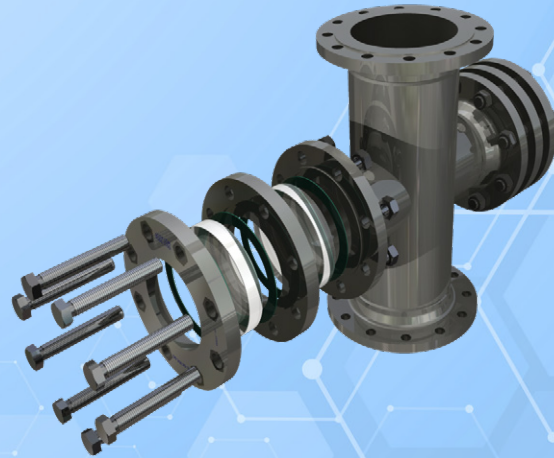




Flow sight glass PN 10 to PN 63

With flange connections and double glazing

Type 530D



APPLICATION:

For observation of filling and flow in pipelines. This sight glass allows reliable monitoring of the function and performance of individual equipment as well as entire installations.

With standard sight glasses, pipelines that must be completely emptied have a residual liquid in the sight glass area. **With this sight glass fitting, virtually almost no residual liquid remains when installed horizontally!** Double glazing provides increased safety compared to single glazing.

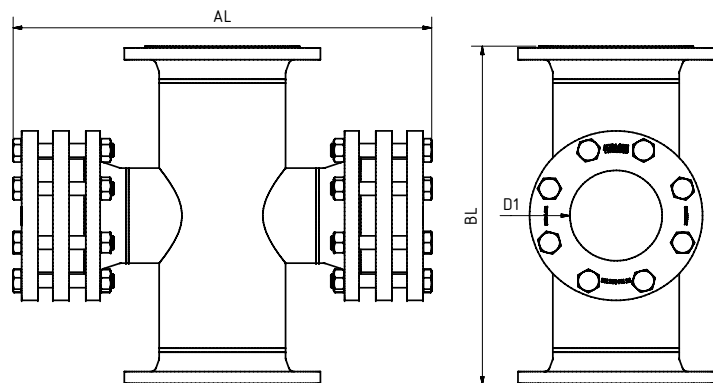
INSTALLATION NOTE:

Gaskets suitable for the sealing surfaces should be used. The screw material should be equivalent to or higher than those of the sight glass body. Always use screws that match the hole pattern. If possible, the screw thread and the screw head should be lubricated.

With flange connections according to DIN 1092-1 and double glazing ($\Delta P \leq 10 / 16 / 25 / 40 / 63$ bar)

Operating conditions:

| | | |
|---|---------------------|-----|
| Temperature: (depending on glass and gasket) | 150°C 280 °C | |
| Pressure: | ≤ 10 to 63^1 | Bar |



Materials:

| | |
|------------------------------|--|
| Body: | 1.4571; 1.4539; 1.4404 |
| Glass: | Borosilicate glass DIN 7080 Soda lime glass DIN 8902 Quartz glass Mica META® glass |
| Gasket: | PTFE; FKM; NBR; C4400; Silicone; EPDM; Graphite |
| Screws: | A4-70 |
| Special materials on request | |

| DN | 40 | 50 | 80 | 100 | 125 | 150 | 200 | 250 | 300 | 350 | 400 |
|---|-----|-----|-----|-----|-----|-----|-----|-----|-----|------|------|
| BL | 200 | 230 | 310 | 350 | 400 | 480 | 600 | 730 | 850 | 980 | 1100 |
| D1 | 35 | 45 | 55 | 84 | 107 | 132 | 160 | 160 | 160 | 160 | 160 |
| AL ² | 335 | 360 | 430 | 480 | 530 | 574 | 698 | 816 | 935 | 1060 | 1110 |
| ² other dimensions on request Dimensions acc. to PN 16, other pressure ratings may vary | | | | | | | | | | | |
| Special dimensions and other standards on request | | | | | | | | | | | |

Flow sight glass PN 10 to PN 63

With flange connections and double glazing

Type 530D

PRODUCTCODE:

| Group | TYPE | DN | PN | Body* | Glass | Gasket | Variant |
|-------|------|--|--|--|--|---|--------------------------------|
| 11 | 530D | 1: 40 2: 50 3: 80 4: 100 5: 125 6: 150 7: 200 8: 250 9: 300 10: 350 11: 400 12: Special | 0: 10 1: 16 2: 25 3: 40 4: 63 5: Special | 1: 1.4571 2: 1.4404 3: 1.4539 4: Special | 1: Borosilicate glass (Boro) DIN 7080 2: Soda lime glass (NKG) DIN 7080 3: Quarzglas 4: Boro + Glimmer 6: META®-Glas | 1: PTFE 2: FKM 3: NBR 4: C4400 5: Silicone 6: EPDM 7: Graphite 8: Special | Assigned by ACI if required |

INFO: Unless otherwise stated, the factory standard highlighted is supplied.

* Cover flanges made of body material or according to quotation / order confirmation

SPECIAL DESIGNS/OPTIONS:

- a) Single glazing (Type 530)
- c) Mica protection
- d) FEP protective screen
- e) LED or halogen lights, ATEX-certified, EX
- f) Additional options on request

EXAMPLE:

11-530D-10-1-1-1-7-0 equals the product code:

ACI Type 530D
DN350
PN16
body 1.4571
borosilicate glass
gasket graphite
standard version

ATTENTION!

The pressure-temperature limits according to DIN EN 1092-1 apply!

Our tool of the same name is available on our website for this purpose.
(www.ACI24.com, in the category Service, Tools)



RECOMMENDATION:

For aggressive media or steam, mica discs should be used to protect the glass.